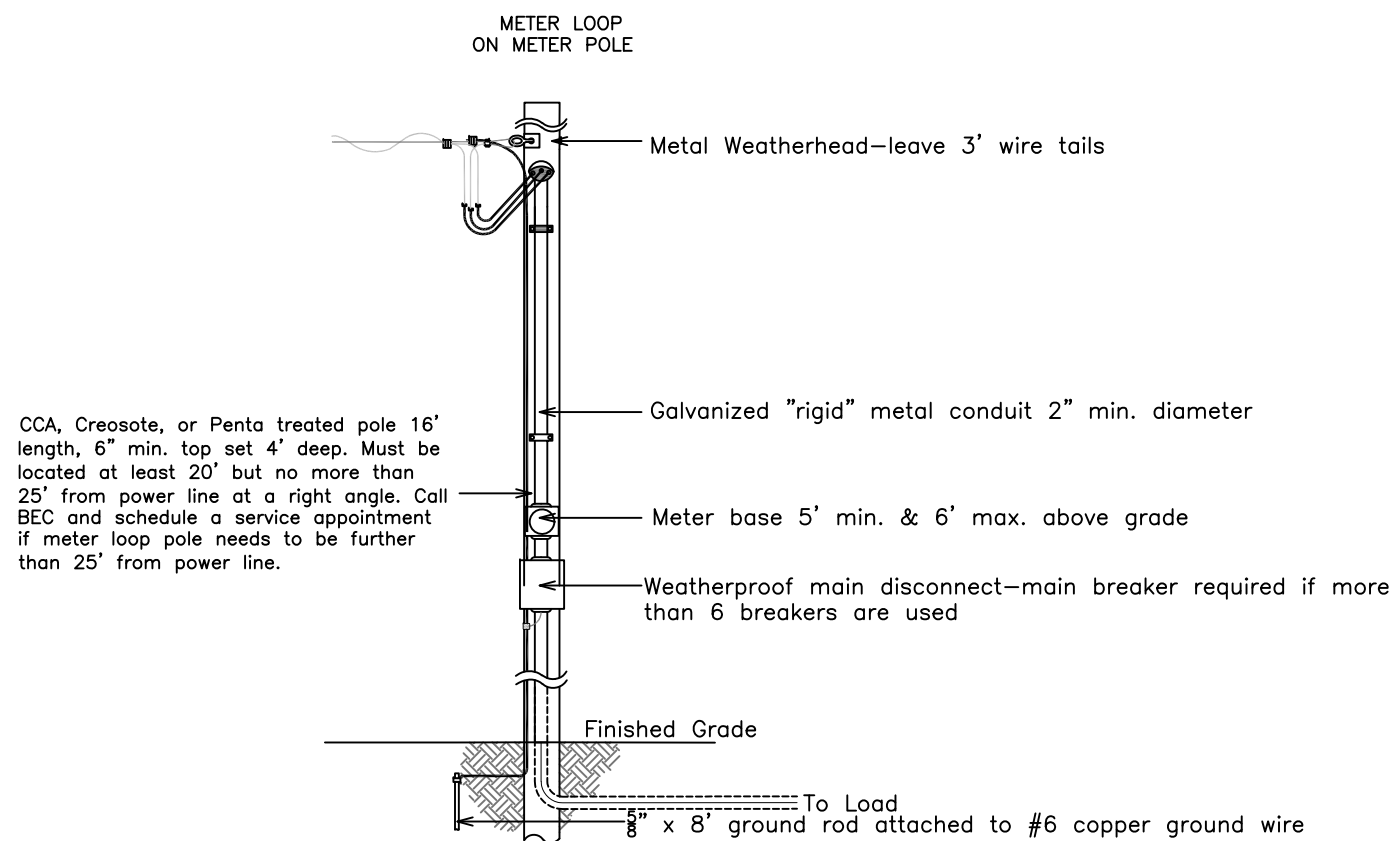


NOTES:

1. All wiring must conform to National Electric Code, National Electrical Safety Code, and Municipal Code as required.
2. Municipal jurisdiction will require city inspection of loop before connection.
3. Addition of future load should be considered when sizing meter loop.
4. Minimum wire size for: 100amp meter loop, #2 copper: 200amp meter loop, 2/0 copper: other-contact office.
5. Mark neutral with white tape or stripped insulation
6. Minimum height 12' finish grade to service wire attachment in non vehicular traffic areas.
7. Meter loops not allowed on mobile homes.



FOR THE MEMBER'S SAFETY,
WIRING INSTALLATIONS SHALL
CONFORM TO THE REQUIREMENTS
OF THE NEC AND NESC.



BEC Power
27492 HWY 95
Bartlett, Texas 76511

SINGLE PHASE, 200AMP SERVICE, METER
POLE WITH CLASS 200AMP METER
SOCKET

| | | | |
|------------------|-------------------|--------------------------|---------------------|
| Drawn By: SEP | Checked By: GP | Approved By: KGS | Revised by: SE |
| Scale: N.T.S. | Date: 08-03-21 | Drawing #: BEC-MS-7-3 | Date: 08/10/2021 |